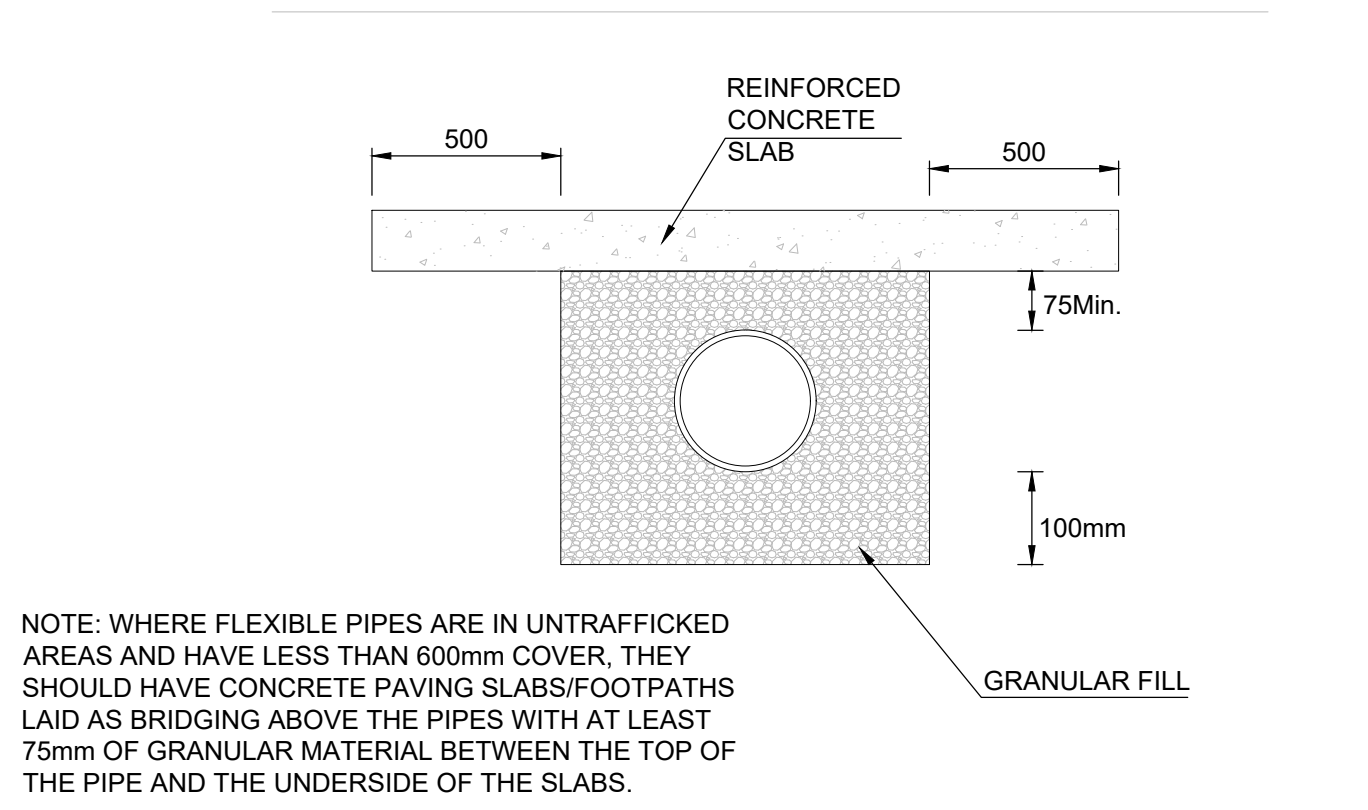
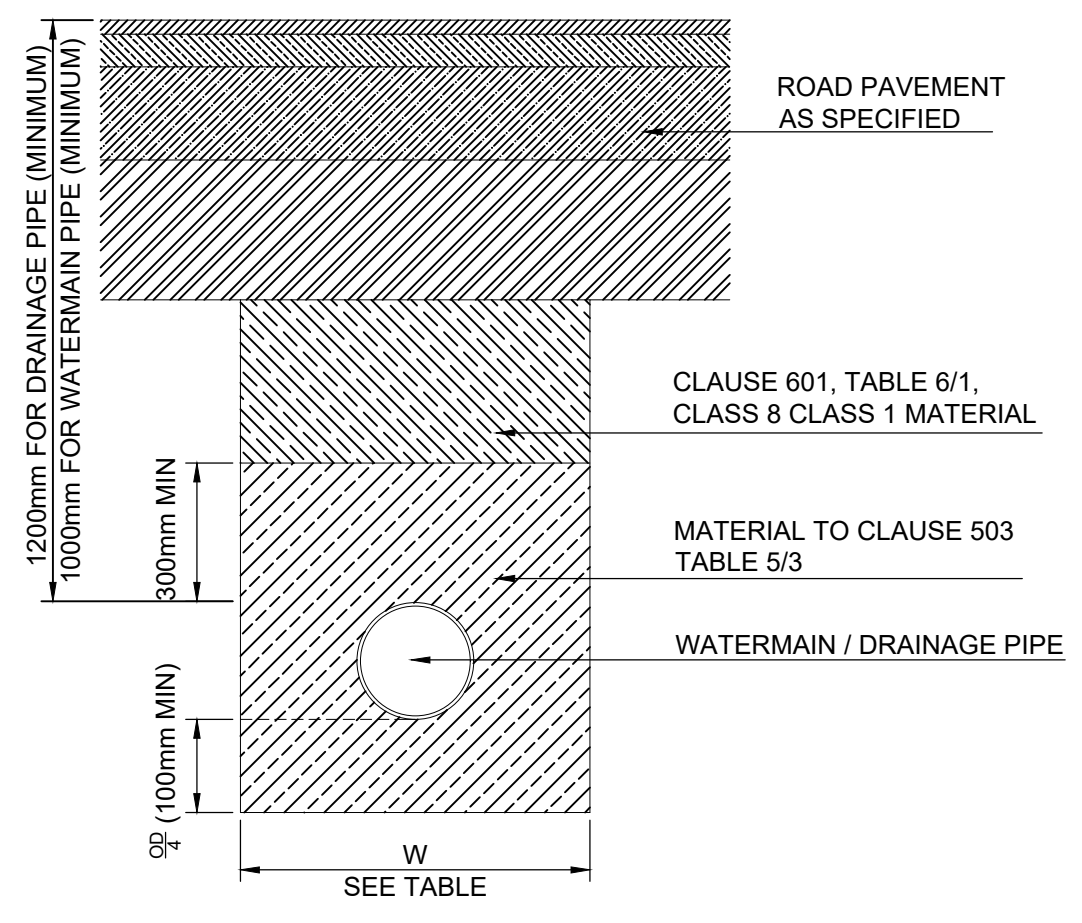


NOTES:
DRAWING - NOTES
 1. This drawing shall be read in conjunction with all relevant drawings and specification.

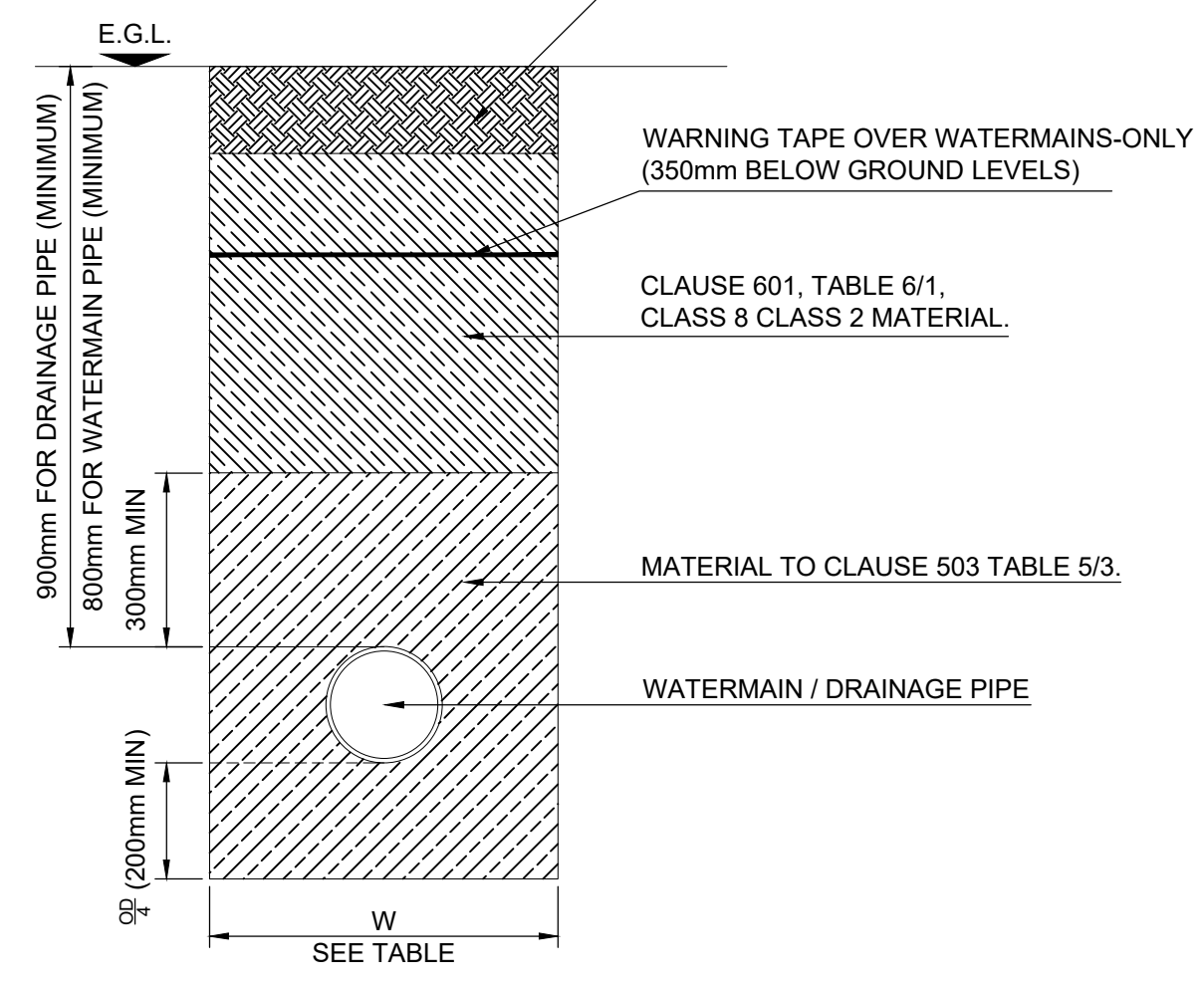


TRENCH DETAIL WHERE MINIMUM COVER IS NOT PROVIDED IN UN-TRAFFICKED AREAS
 SCALE 1:20

NOTE: WHERE FLEXIBLE PIPES ARE IN UNTRAFFICKED AREAS AND HAVE LESS THAN 600mm COVER, THEY SHOULD HAVE CONCRETE PAVING SLABS/FOOTPATHS LAID AS BRIDGING ABOVE THE PIPES WITH AT LEAST 75mm OF GRANULAR MATERIAL BETWEEN THE TOP OF THE PIPE AND THE UNDERSIDE OF THE SLABS.

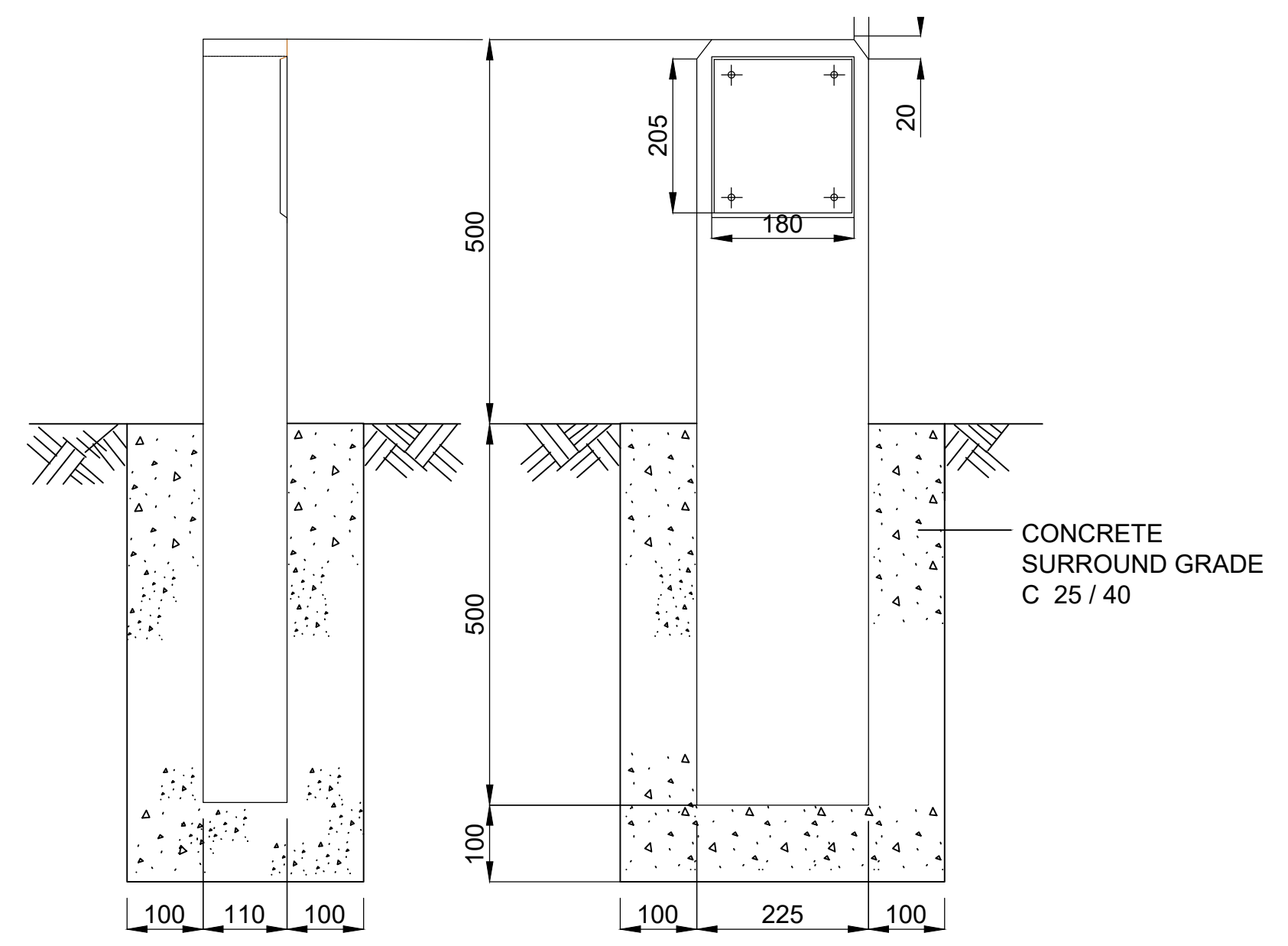


TRENCH & BEDDING FOR TRAFFICKED AREAS

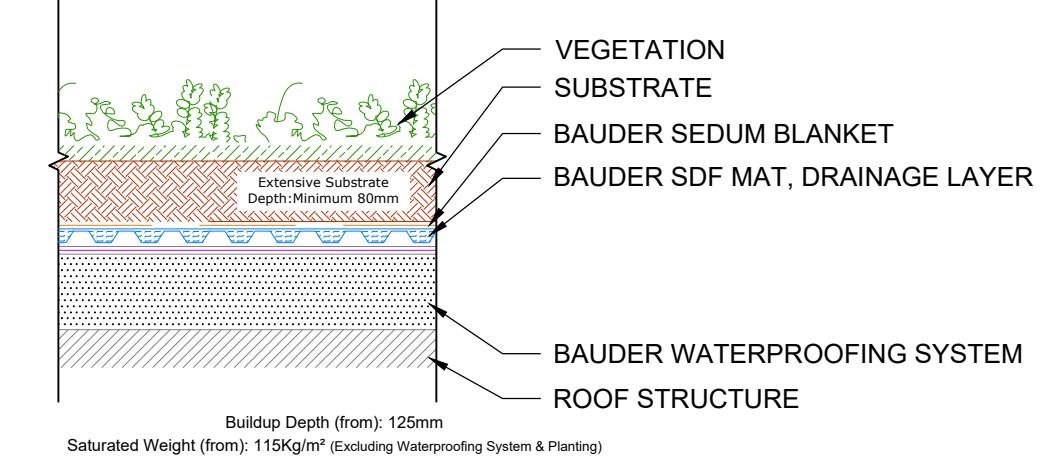


TRENCH & BEDDING FOR UN-TRAFFICKED AREAS

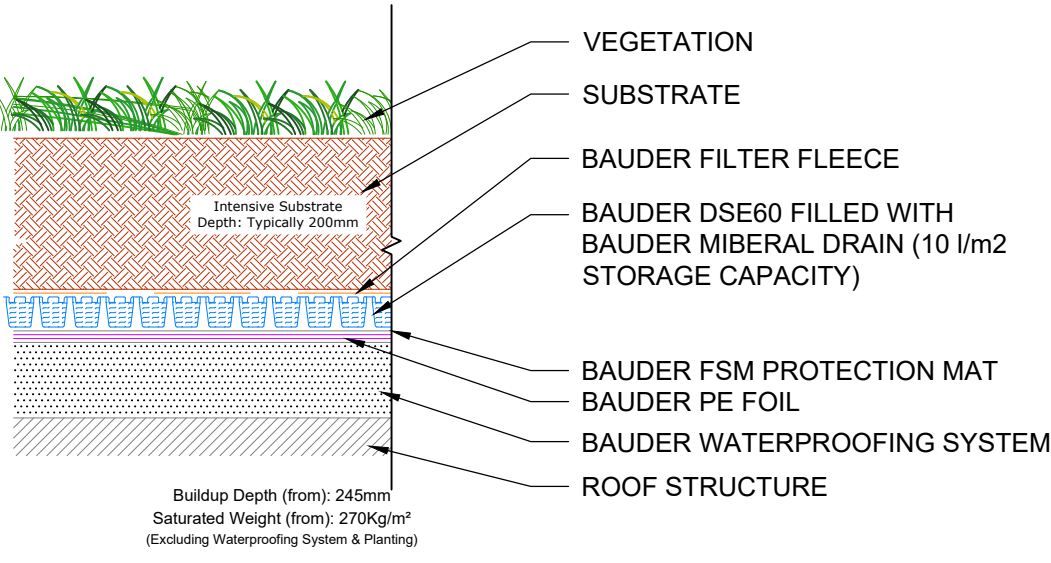
TRENCH & BEDDING DETAIL FOR FLEXIBLE PIPES
 SCALE 1:20 @ A1



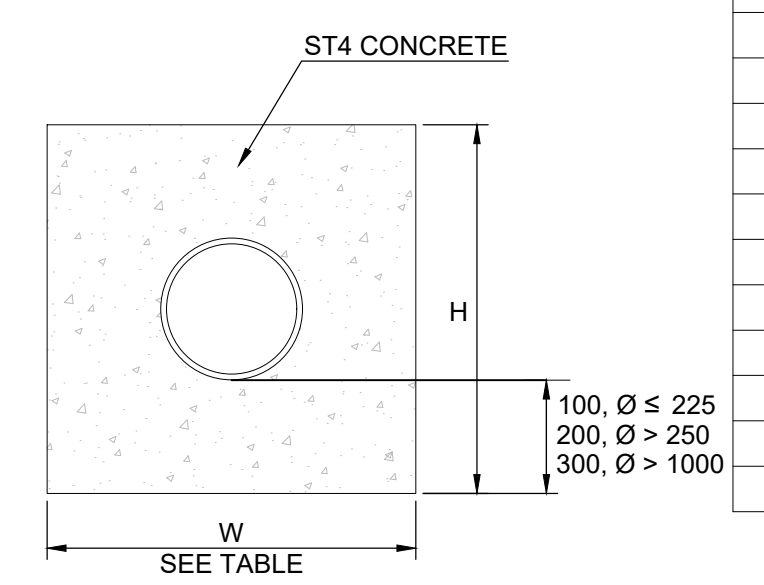
ERECTOR OF MARKET POSTS
 SCALE 1:20



EXTENSIVE SOFT LANDSCAPING
 SCALE 1:10 @ A1



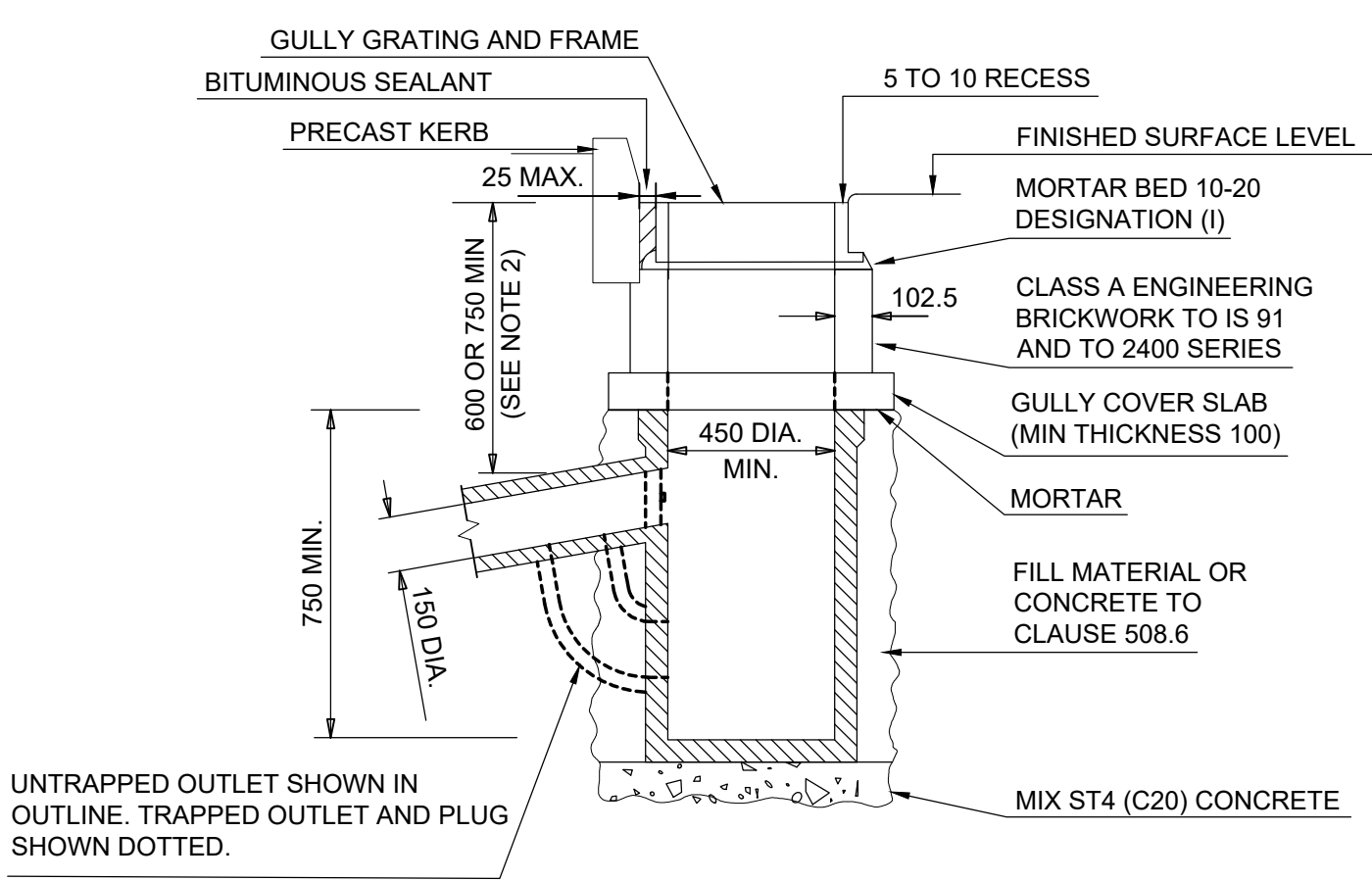
INTENSIVE SOFT LANDSCAPING
 SCALE 1:10 @ A1



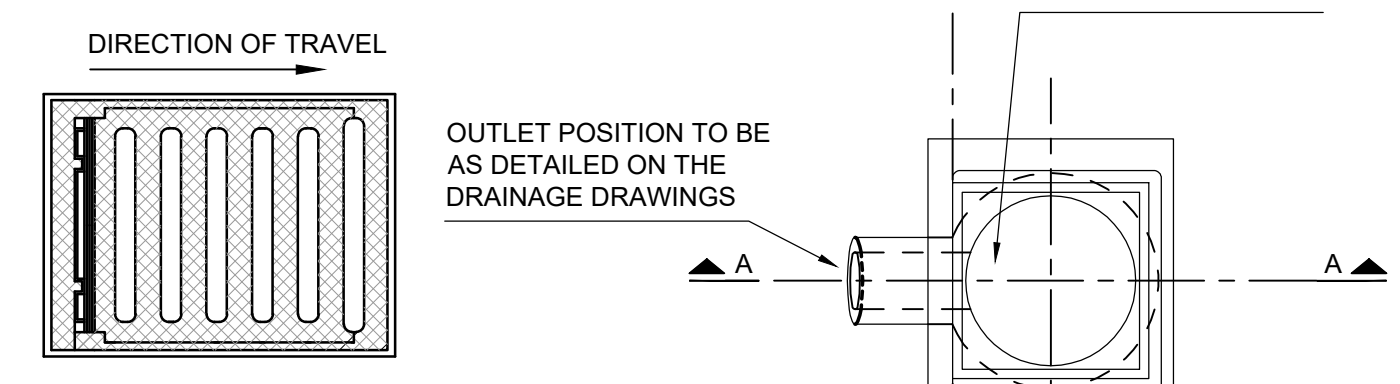
TRENCH DETAIL WHERE MINIMUM COVER IS NOT PROVIDED IN TRAFFICKED AREAS
 SCALE 1:20 @ A1

PIPE Ø (mm)	TRENCH WIDTH W (mm)	CONCRETE SURROUND	
		H (mm)	
80	500	400	
100	500	400	
150	600	450	
200	600	450	
250	750	650	
300	750	650	
350	750	750	
400	900	850	
450	900	850	
500	1000	850	
1050	2200	1600	
1200	2400	1750	

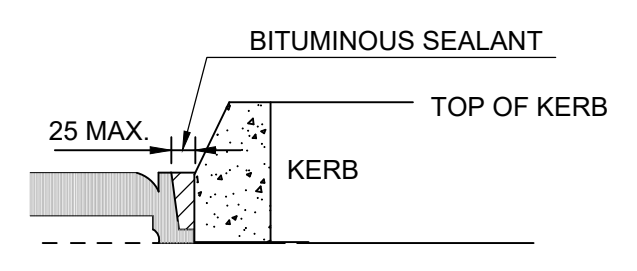
LOCATION:	PIPE COVER CHART: WITHOUT CONCRETE ENCASEMENT	Minimum Cover (mm)
SEWERS IN ROAD		1200
SEWERS IN OPEN SPACES NOT ADJACENT TO ROADS		900
SEWERS IN GARDENS		600
WATERMAINS ALL LOCATIONS		900
WATER SERVICES ALL LOCATIONS		600
ELEC/ESB CABLE DUCTS IN ROADWAY		900
ELEC/ESB CABLE DUCTS IN FOOTPATHS		500
NATURAL GAS MAINS IN ROADWAYS		800
NATURAL GAS MAINS IN FOOTPATHS		600
TELECOM DUCTS IN ROADWAYS		750
TELECOM DUCTS IN FOOTPATHS		350
CABLE TV DUCTS IN ROADS & FOOTPATHS		450



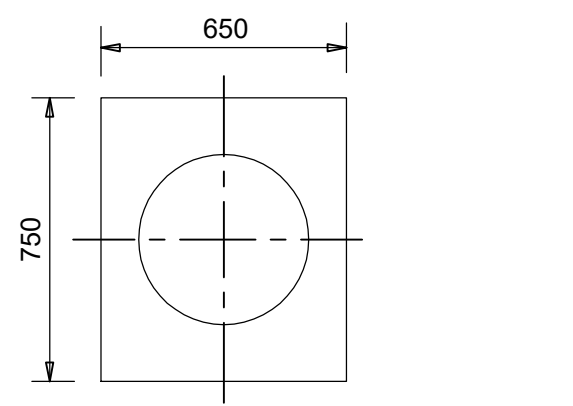
PRECAST GULLY
 SCALE 1:20



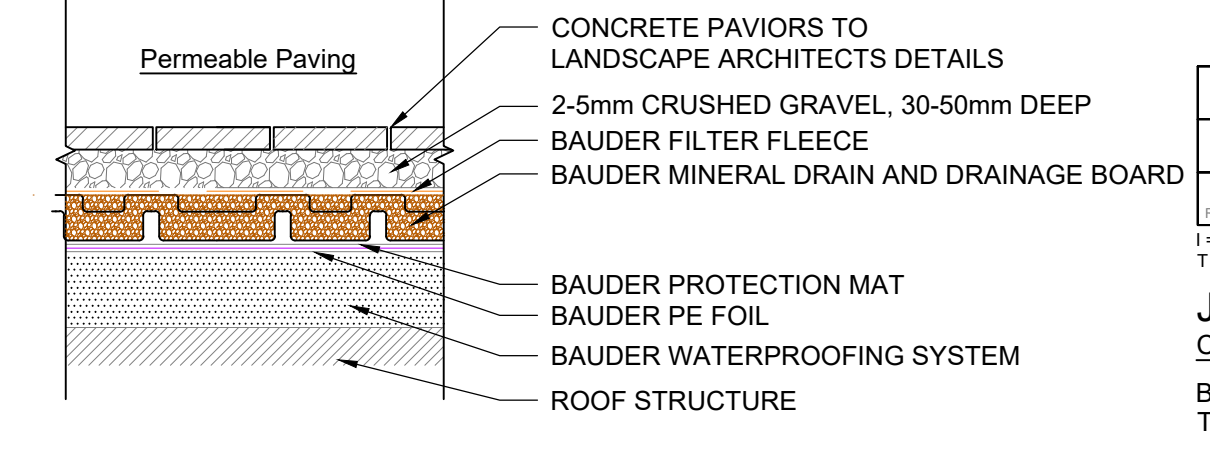
GULLY GRATING DETAIL
 SCALE 1:20



GULLY GRATING SECTION
 SCALE 1:20



GULLY COVER SLAB
 SCALE 1:20



ROOF INTENSIVE HARD LANDSCAPING SUDS DETAIL
 SCALE 1:10 @ A1

REV.	REVISION DETAILS	REV. BY	CHKD.	DATE
P1	ISSUED FOR REVIEW			14.05.21
P0	ISSUED FOR PLANNING			07.10.20

JODA Engineering Consultants
 Civil, Structural, Mechanical & Electrical Engineers
 Ballycurreen House, Ballycurreen, Cork, T12 P4AY, Ireland
 Tel: 021 4544244. Web: www.joda.ie



REDFORGE ROAD, BLACKPOOL		4507-P14	
TYPICAL DETAILS 1		AS SHOWN A1	
CHECK SCALE: 50mm @ 1:1			